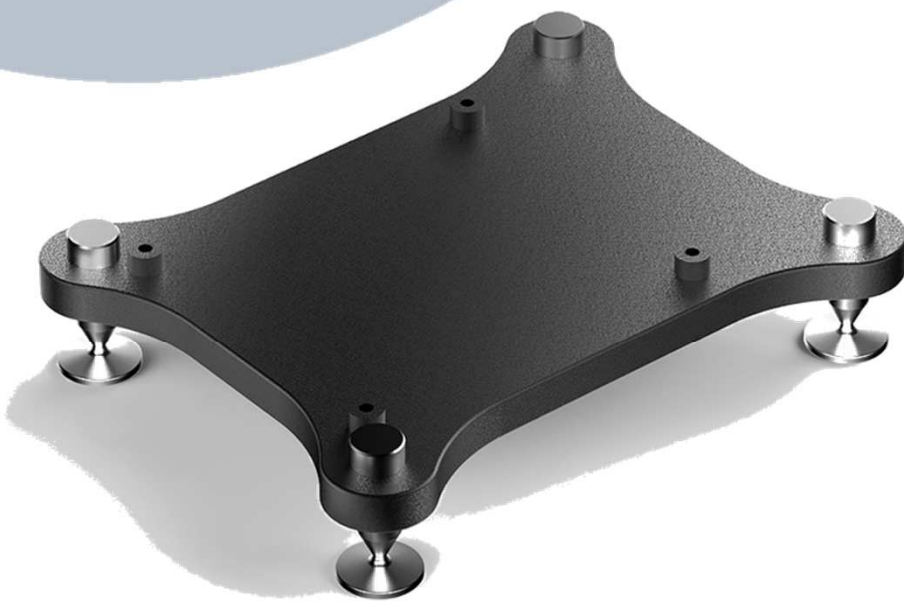


anidees **Open Frame Case**

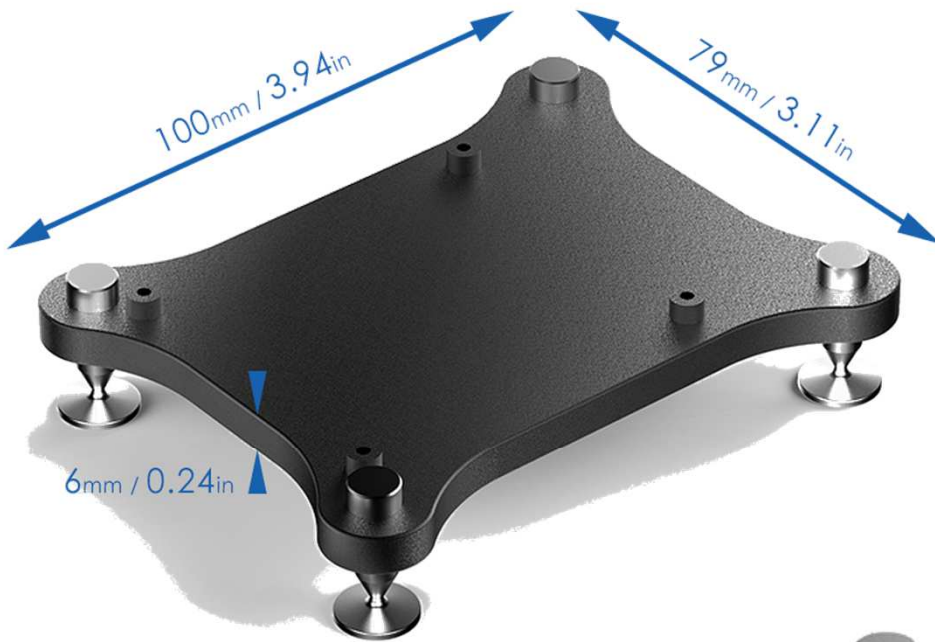
Not just a AL Case, it's the craft



COMPATIBLE WITH

Raspberry Pi4 B/ Pi3 B/ Pi3 B+, ASUS Tinker Board S, Google Coral Dev Board
(support the screw hole dimension of the board : 58 x 49mm)

Designed by anidées



Component List

ITEM	DESCRIPTION	QUANTITY
Al Base	AL alloy A6061 / CNC milling / Black	1
Foot	Copper / Nickel Plated	4
Cap	Copper / Nickel Plated	4

Designed by anidées