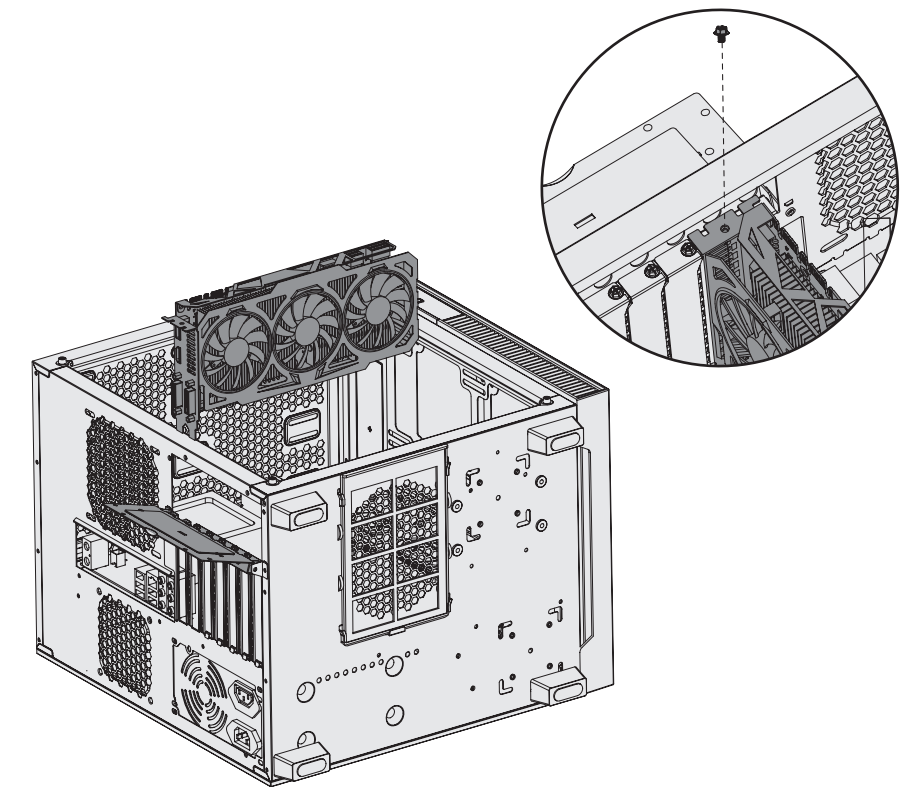
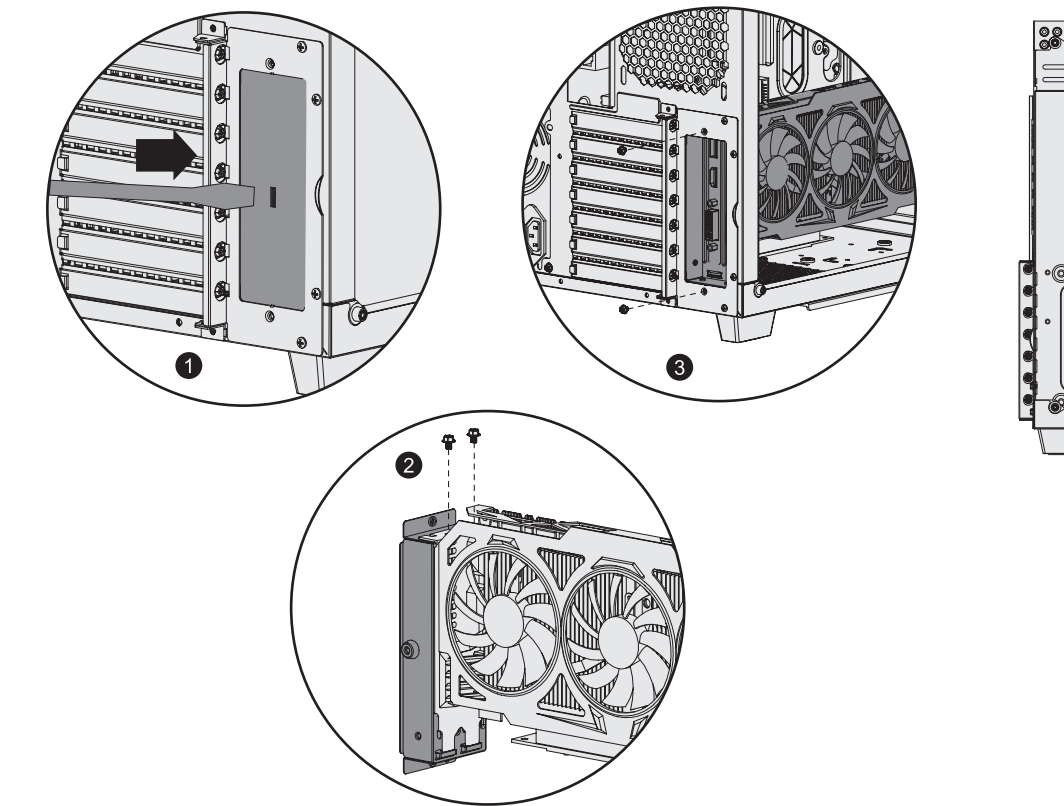


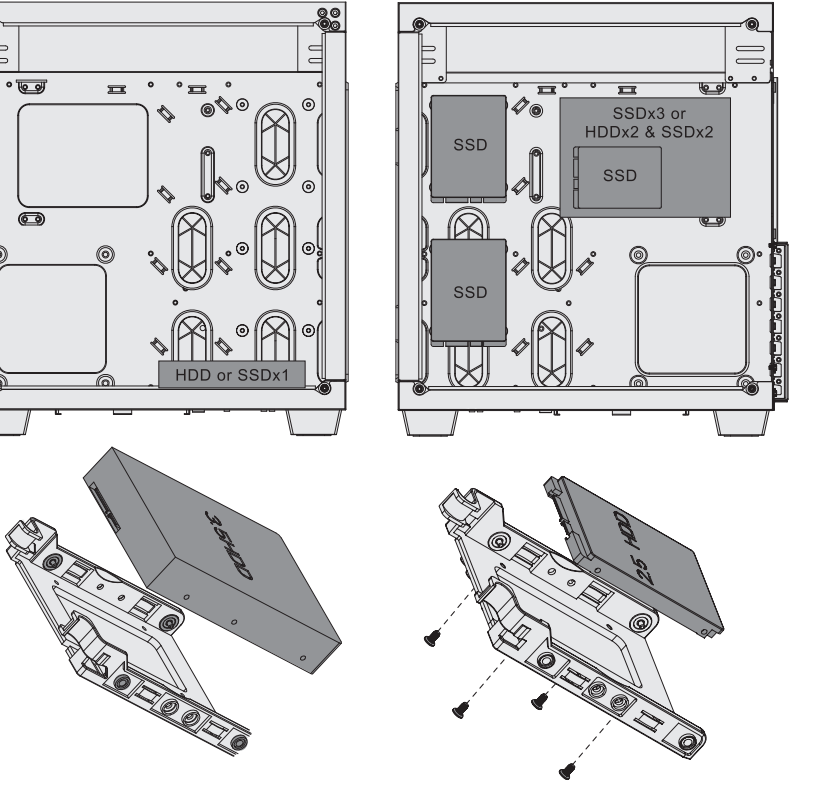
### 7. Graphic Card



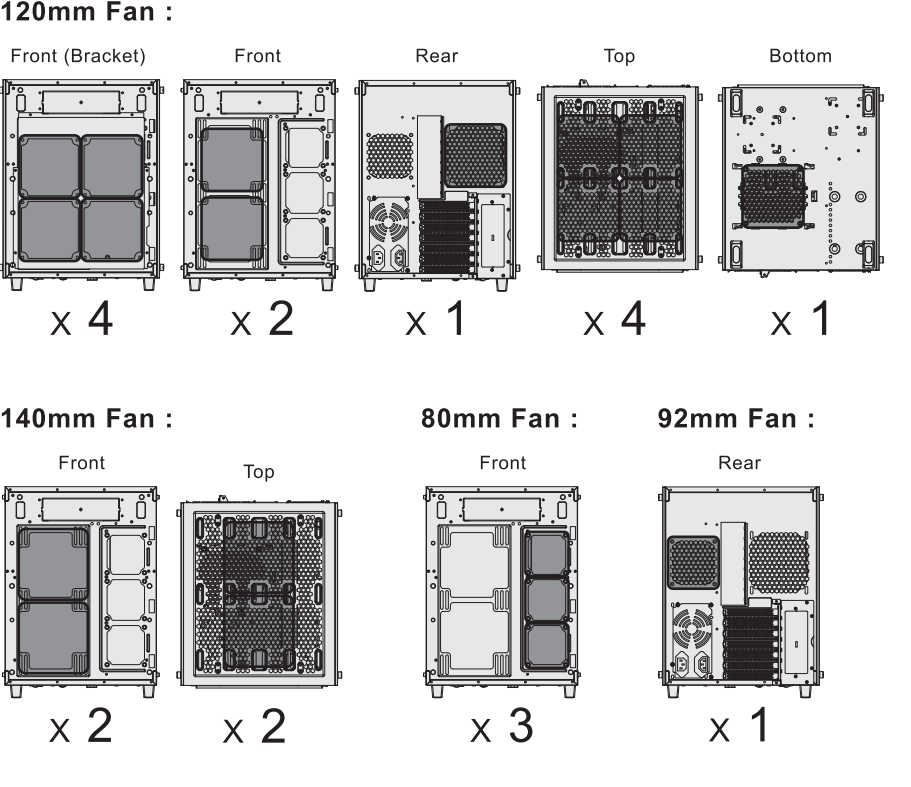
### 8. Graphic Card (Vertical)



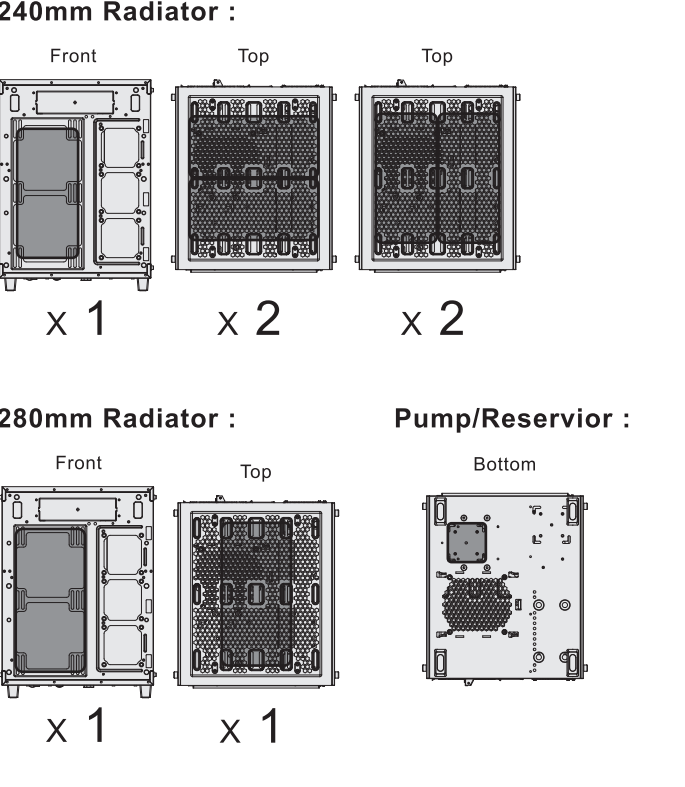
### 9. 3.5 HDD, 2.5 SSD



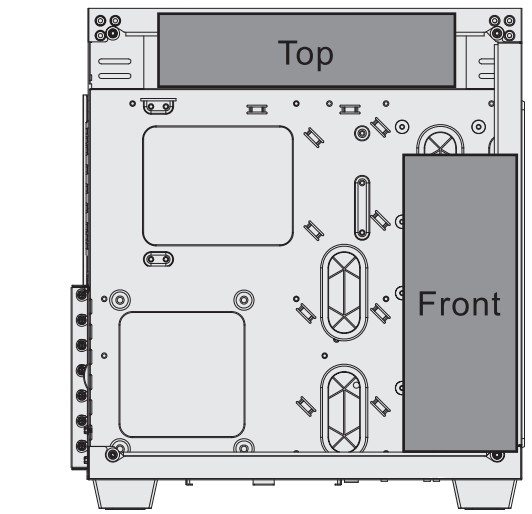
### 10. Fan installation



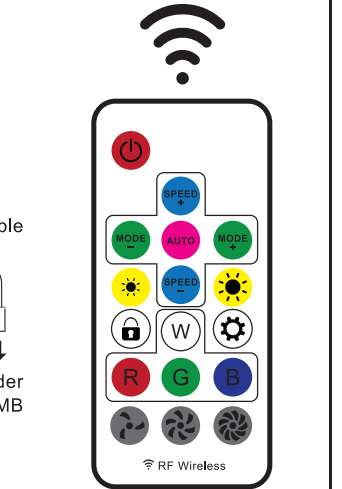
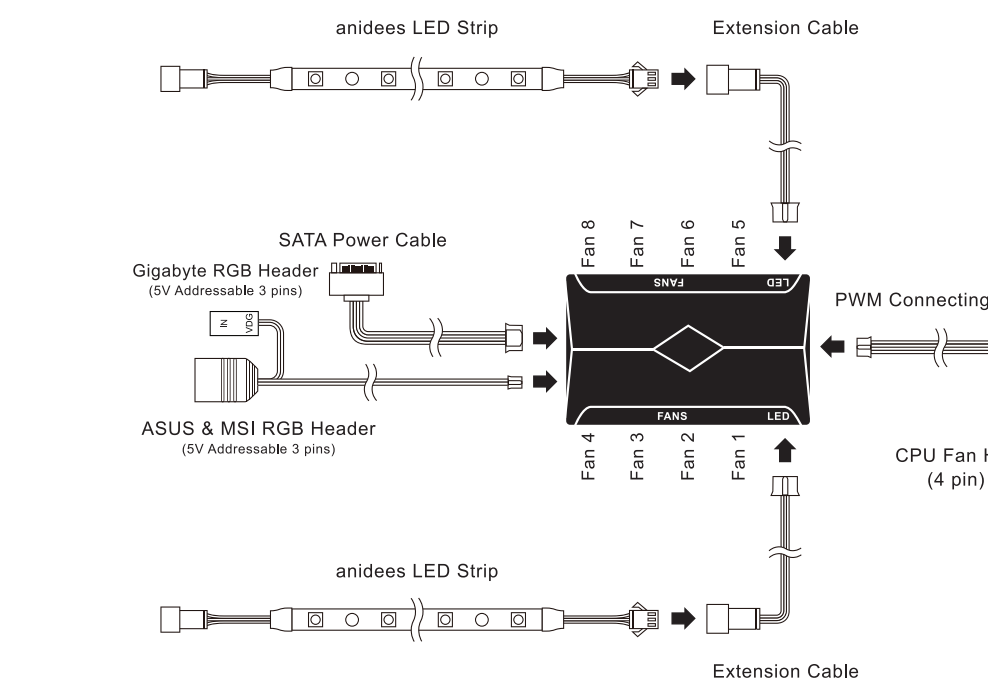
### 11. Radiator installation



### 12. Max Water Cooling Compatibility (the total thickness of fan and rad)



### 13. Installation Diagram : AI AUREOLA V2 & RGB LED STRIP (Available on CUBE AR3 Version)



- LED On / Off
- LED On / Off (Fan Hub connect to RGB Header on motherboard)
- LED Fast / Slow
- Cycling through lighting effects automatically
- Mode 1 - 9
- Brightness Down / Up
- Static White
- Static Red
- Static Green
- Static Blue
- No Function
- Press five time in a row to lock the remote control, unlock to press 5 time again.
- Fan Speed Control Low / Medium / High
- \*NO Function once PWM works, Fan Hub connect to CPU Fan Header on MB