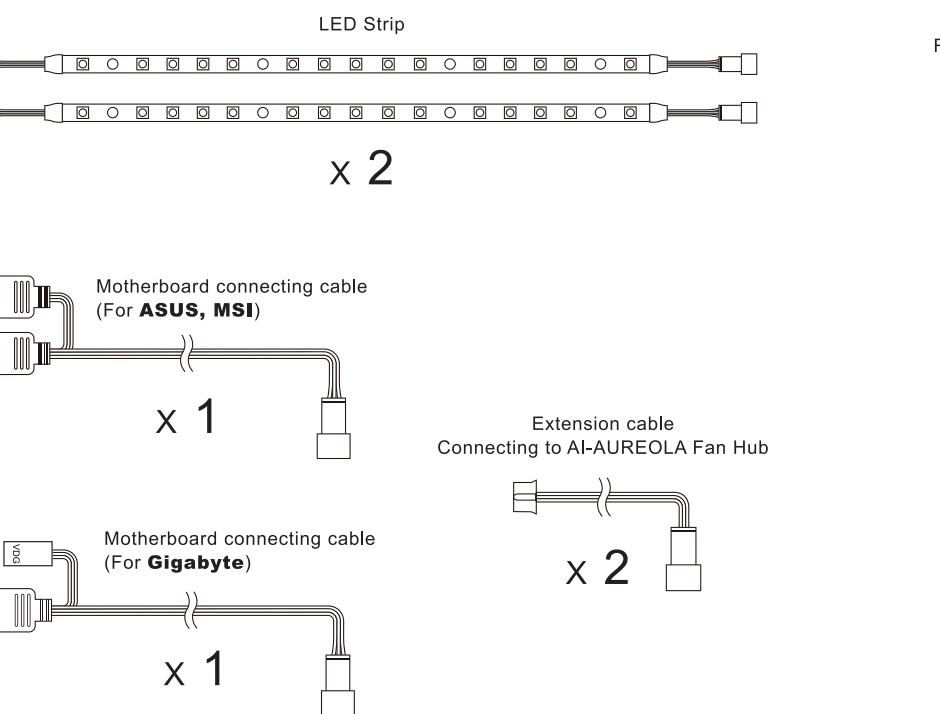
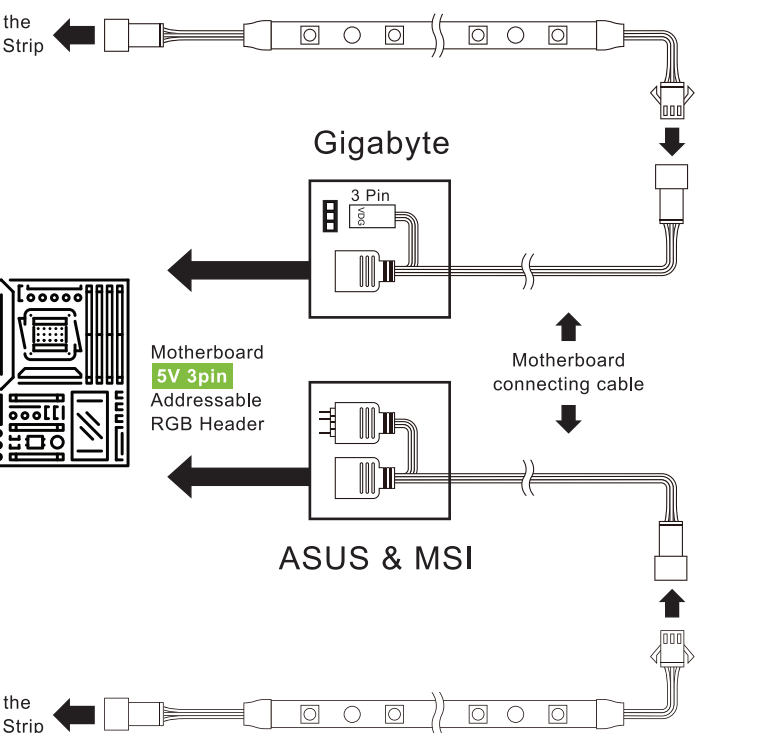


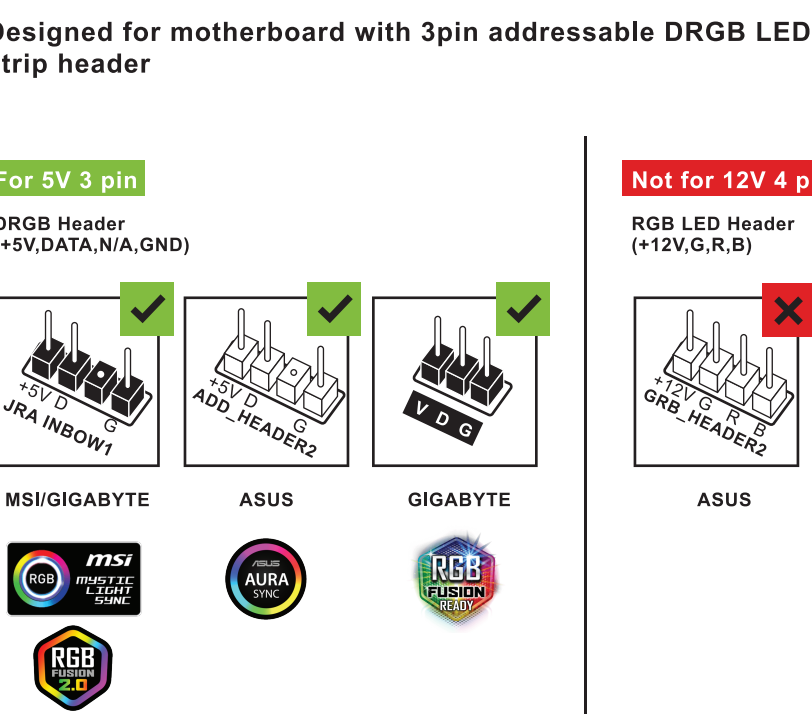
1. What's in the box



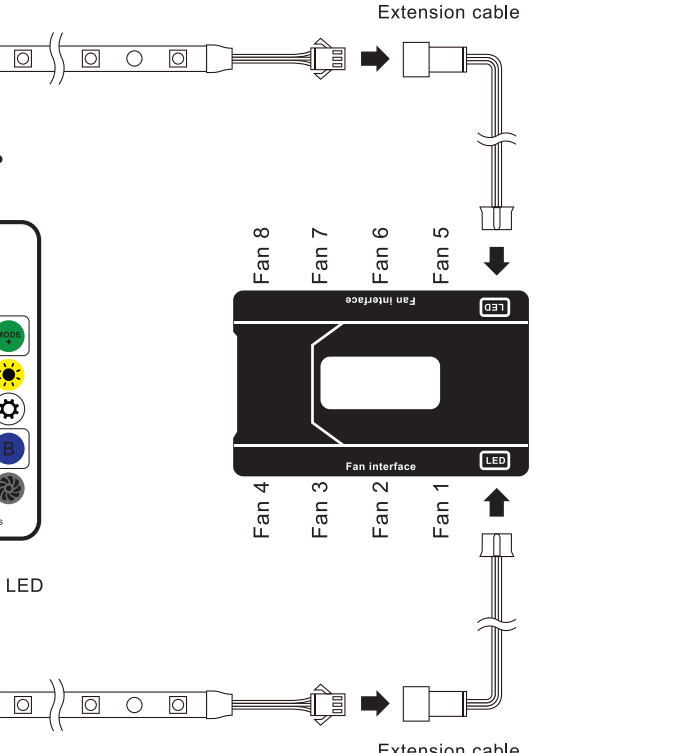
2. Install on Motherboard



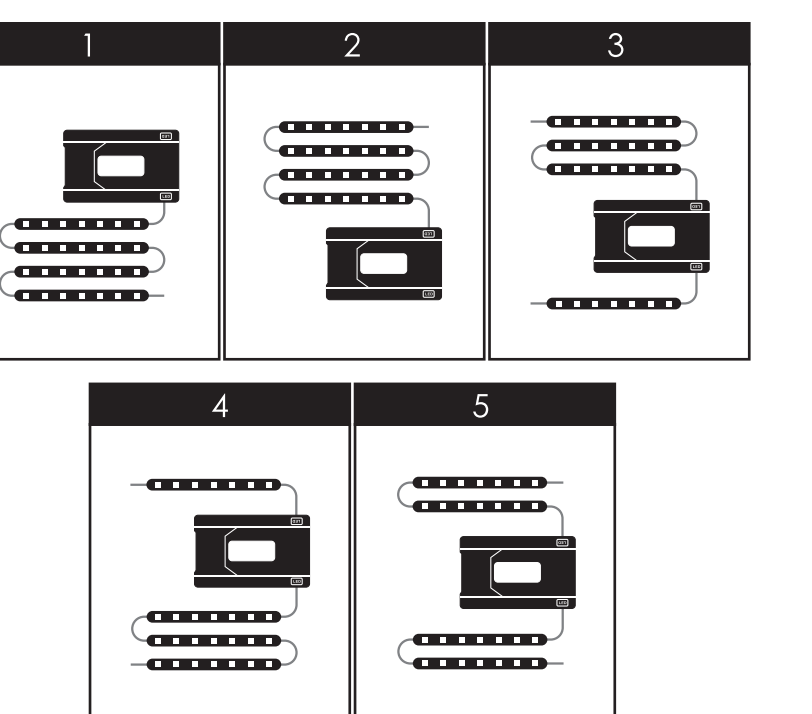
2-1. For 5V 3 pin DRGB Header



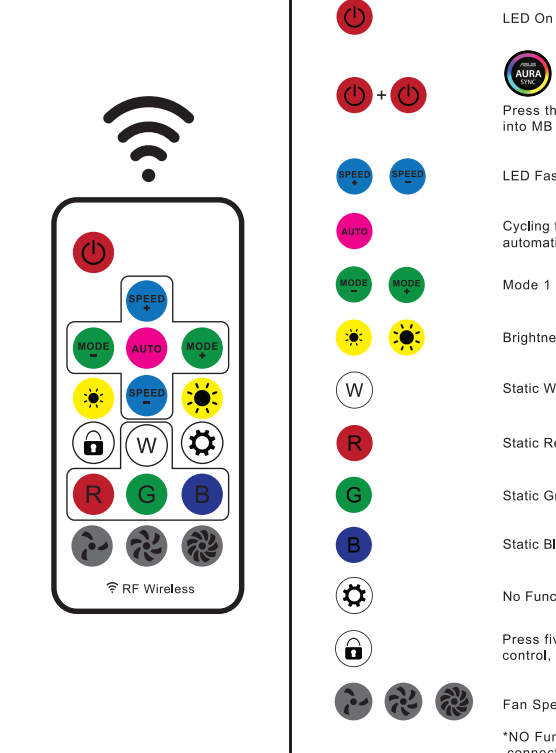
3. Install on anidees Fan Hub (Optional)



4. Max 4 RGB LED Strips by AI Aureola Fan Hub



5. RF Wireless LED Control



- LED On / Off
 - Press the Remote Power button twice into MB RGB mode.
 - LED Fast / Slow
 - Cycling through lighting effects automatically
 - Mode 1 - 9
 - Brightness Down / Up
 - Static White
 - Static Red
 - Static Green
 - Static Blue
 - No Function
 - Press five time in a row to lock the remote control, unlock to press 5 time again.
 - Fan Speed Control Low / Medium / High
- *NO Function once PWM works, Fan Hub connect to CPU Fan Header on MB

6. SPEC

